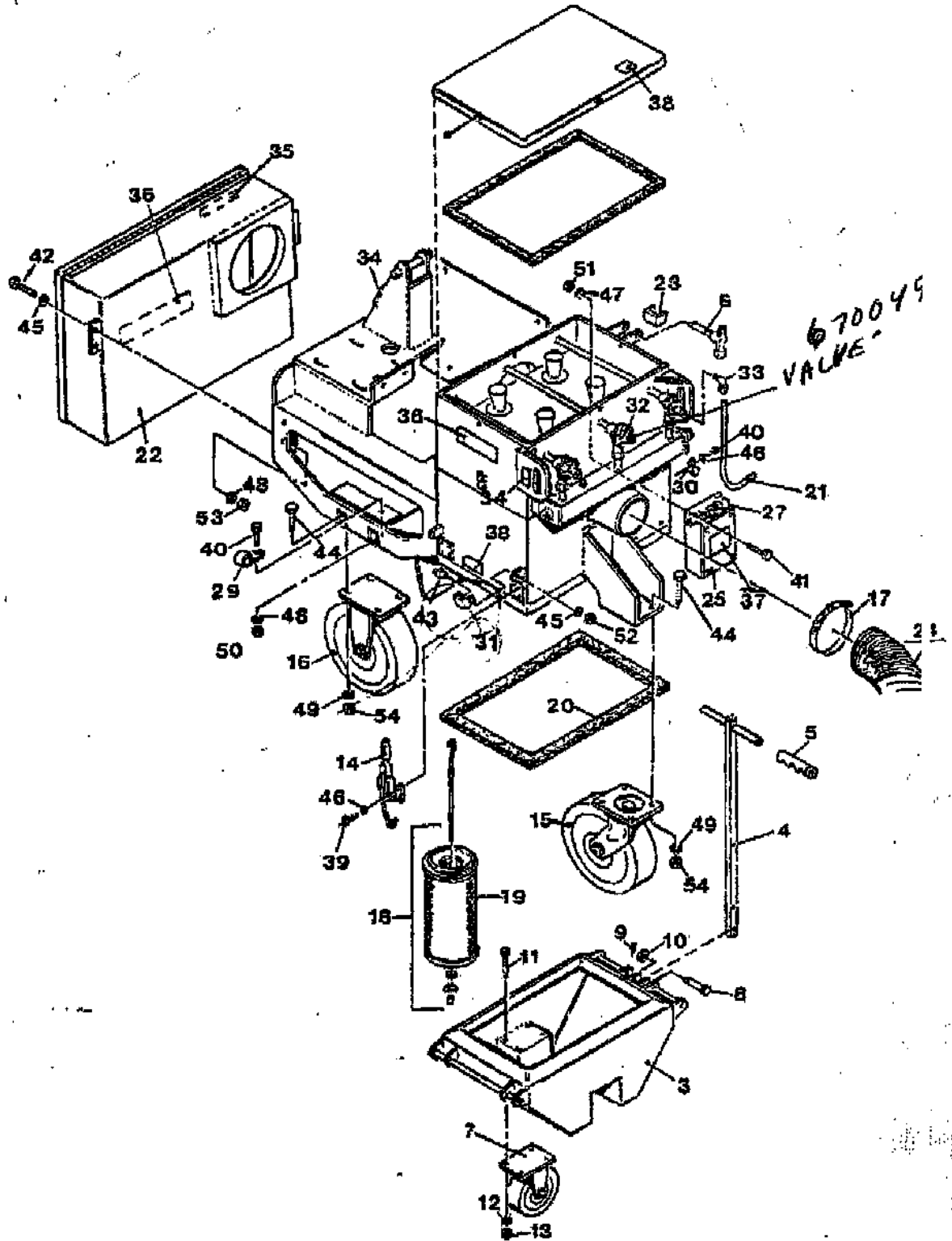


Adam
554DC



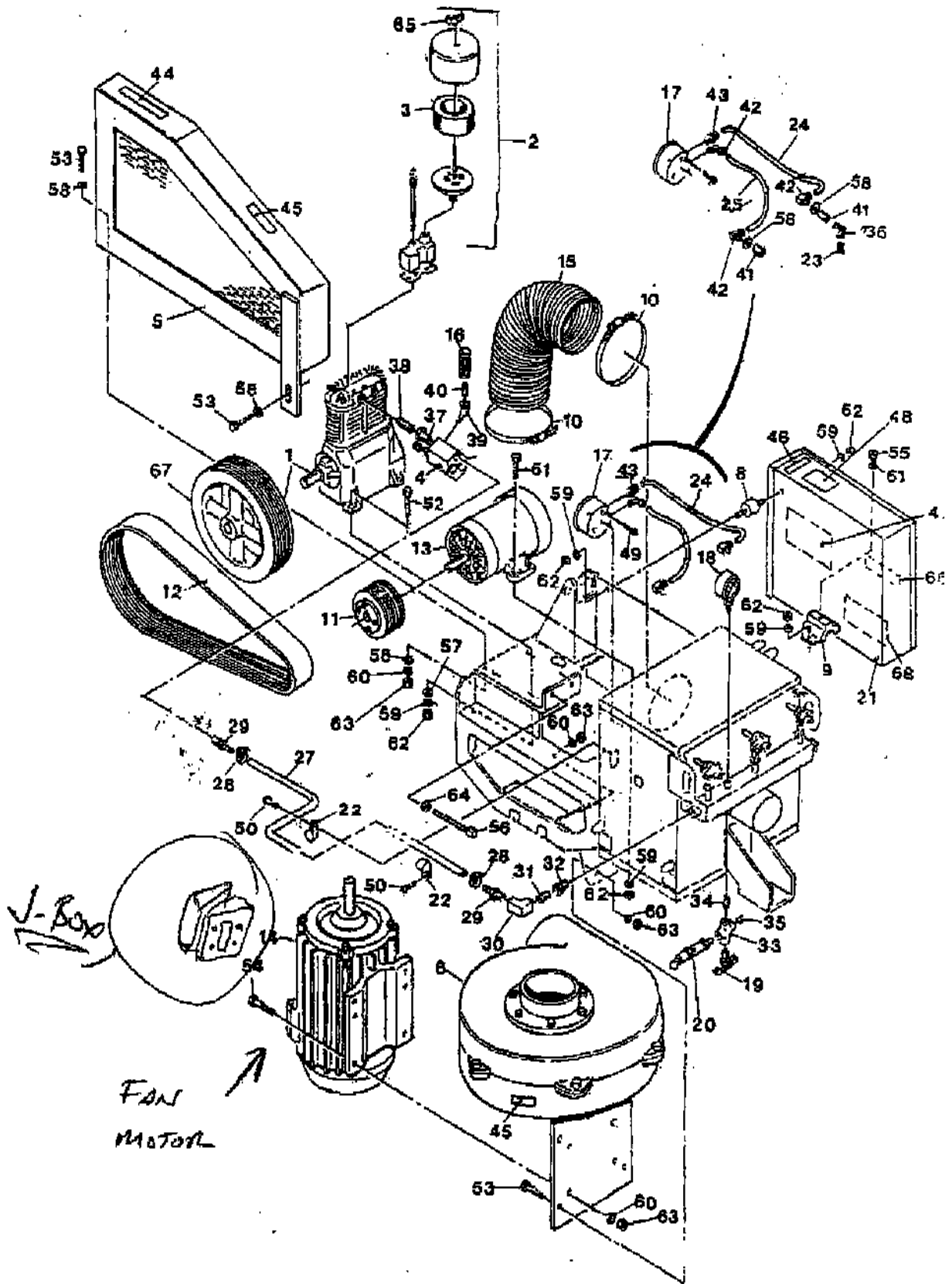
HOUSING ASSEMBLY			
554 DC			

554 HOUSING ASSEMBLY

ITEM NO.	QTY.	PART NO.	DWG. NO.	DESCRIPTION
1	1	BM 490098	82 D 1286	Housing
2	1	BM 492307		Hopper Assy. (Includes Items #3 thru #13)
3	1	BM 490094		Hopper
4	1	BM 490097		Handle
5	2	453290		Grip
6	1	490694		Pin
7	2	490696		Caster
8	1	491967		1/2 x 2-1/4 Clevis Pin
9	1	500596		1/8 x 1 Cotter Pin
10	2	500106		1/2" Plain Washer
11	8	500189		5/16-18 x 3/4 Hex. Hd. Cap Screw
12	8	500114		5/16 Lock Washer
13	8	500059		5/16-18 Hex Nut
14	4	483551		Clamp - De-Staco 351
15	1	490697		Caster
16	2	490695		Caster
17	1	176038		Clamp
18	5	490803		Filter Element Assy. (Includes Item #19)
19	5	493206		Element/Filter
20	1	491809	83 B-119	Seal/Hopper
21	15 ft.	484810		Tubing
* 22	1	BM 492425	83 C 197	Silencer Assy.
23	1	BM 492742	83 A 266	Damper
24	2	492019		Duct 5"
25	1	491836		Timer Assy. (Includes Items #26 thru #28)

--- EQUIPMENT INVENTORY (CONT. 2)

ITEM NO.	QTY.	PART NO.	DWG. NO.	DESCRIPTION
26	3	493410		Valve/Pilot
27	3	493397		Elbow
28	1	487270		Timer (not shown)
29	1	491955		Cleat/Cable 3/4"
30	1	491954		Cleat/Cable 1/2"
31	4	464548	78 A 284	Latch/Clamp
32	3	493398		Vlv./Rebuild Kit
33	3	493397		Elbow
34	3	487788	82 A 348	Sign/Lift
35	1	451666	76 A 327	Sign/Caution
36	3	493011	83 B 331	Sign/554
37	1	446275	75 A 365	Sign/Voltage
38	3	479830	80 A 676	Sign/Caution
39	16	500045		#10-24 x 3/8 Rd. Hd. Machine Screw
40	2	501144		#10-24 x 2 Rd. Hd. Machine Screw
41	4	500189		5/16-18 x 3/4 Hex. Hd. Cap Screw
42	4	500768		3/8-16 x 1-1/4 Hex. Hd. Cap Screw
43	4	414810		3/8 x 1-1/2 Soc. Hd. Shoulder Screw
44	12	500221		1/2-13 x 1-1/2 Hex. Hd. Cap Screw
45	8	500104		3/8 Plain Washer
46	18	500113		3/16 Lockwasher
47	4	500114		5/16 Lockwasher
48	4	500115		3/8 Lockwasher
49	12	500116		1/2 Lockwasher



				COMPRESSOR & BLOWER ASSEMBLY		
				554 DC		
			SCALE NTS	DRAWN LHM	TRACED	
						SD 3100

COMPRESSOR AND BLOWER ASSEMBLY - SD 3100

ITEM NO.	QUANTITY	PART NO.	DWG. NO	DESCRIPTION
1	1	490698		COMPRESSOR (INCLUDES ITEM #67)
2	1	497771		FILTER ASSY. (INCLUDES ITEM #3)
3	1	490804		ELEMENT/FILTER
4	1	490691		UNLOADER
5	1	490099	82D1287	GUARD
6	1	490693		BLOWER (INLCUDES ITEM #7)
7	1	493399		BLOWER WHEEL (NOT SHOWN)
8	2	456550		MOUNT
9	2	483464		INSULATOR
10	2	223961		CLAMP
11	1	491824		SHEAVE
12	1	491825		BELT
13	1	265505		MOTOR 2 HP
14	1	491816		MOTOR 5 HP (SPECIAL)
15	1	490706	84A0370	DUCT 8 IN.
16	1	255861		MUFFLER
17	1	491837		GAUGE/MAGNEHELIC 0-10 IN.
18	1	126814		GAUGE/PRESSURE 0-160 PSI
19	1	484951		VALVE/DRAIN
20	1	483468		VALVE/SAFETY
21	1	491975		ELECTRICAL PANEL
22	2	491955		CLEAT/CABLE 3/4 IN.
23	1	441378		VENT
24	1	492050		TUBE
25	1	492051		TUBE
26	1	500550		ELBOW
27	1	492743		HOSE
28	2	205112		CLAMP/HOSE
29	2	146280		FITTING HOSE
30	1	500552		ELBOW 1/2 IN. 90 DEG.
31	1	500349		NIPPLE/PIPE 1/2 X 1-1/2 IN.
32	1	501697		REDUCER 1 X 1/2 IN.
33	1	500521		CROSS 1/4 IN.
34	1	500913		NIPPLE/CLOSE 1/4 IN.
35	1	500492		PLUG 1/4 IN. SQ. HD.
37	1	500539		REDUCER 1/2 X 3/8 IN.
38	1	500945		NIPPLE 3/8 X 8 IN.
39	1	500393		ELBOW/STREET 3/8 IN.
40	1	500343		NIPPLE/CLOSE 3/8 IN.
41	2	500365		COUPLING 1/8 IN.
42	3	483864		ELBOW 1/8 IN.
43	1	483862		CONNECTOR/MALE 1/8 IN.
44	1	494044	83A0418	SIGN/WARNING
45	2	472553	79A1015	SIGN/ROTATION
46	1	494149	83A0431	SIGN/CAUTION
47	1	494150	83B0510	SIGN/DANGER
48	1	493905	83B0489	SIGN/INSTRUCTIONS

FILTER HOUSING ASSEMBLY CONTINUED

ITEM NO.	QUANTITY	PART NO.	DWG. NO.	DESCRIPTION
47	4	500115		3/8 LOCKWASHER
48	12	500116		1/2 LOCKWASHER
49	2	500901		#10-24 HEX NUT
50	4	500059		5/16-18 HEX NUT
51	4	500080		3/16-18 FLEX LOCK NUT
52	4	500060		3/8-16 HEX NUT
53	12	500062		1/2-13 HEX NUT

When ordering P/N 492425, Item #22, also order P/N 494044, Item #35.